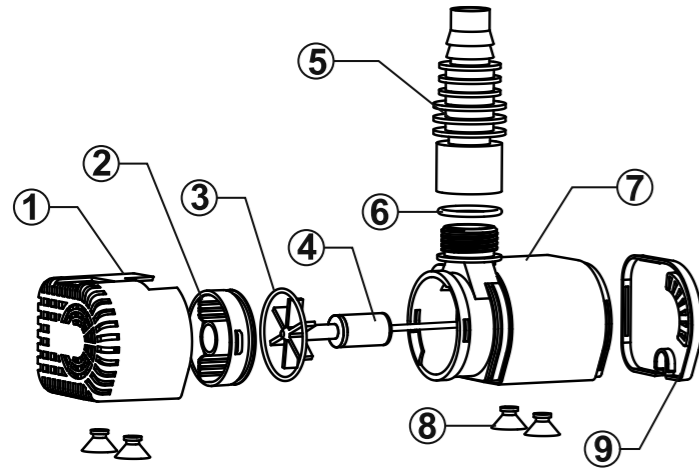


Thank you for purchasing an Aquagarden Waterfall, Filtration and Pond Pump. It features ceramic bearings for long life and an energy saving asynchronous motor that makes it economical to run. For optimum performance and safety please read these instructions carefully and completely before installing and operating this pump.



- ① Front cover
- ② Water chamber cover
- ③ O Ring
- ④ Rotor
- ⑤ Water outlet
- ⑥ O Ring
- ⑦ Main housing
- ⑧ Sucker
- ⑨ Back cover

Guarantee

This pump has been manufactured using only quality materials and accurate manufacturing processes to provide the highest satisfaction and long life. We provide a guarantee of 24 months from date of purchase on the pump motor. This guarantee does not cover parts subjected to natural wear and tear, such as impellers, or any damages that result from misuse, tampering (including shortening of the cable), negligence, damage and technical modification, or from not observing the General and Electrical Safety Instructions above.

We reserve the right to repair or replace the unit. No repairs or replacement will be undertaken for pumps that have not been properly maintained. The guarantee will be honored only if the unit is returned to your supplier complete, with your receipt or proof of purchase of the product.

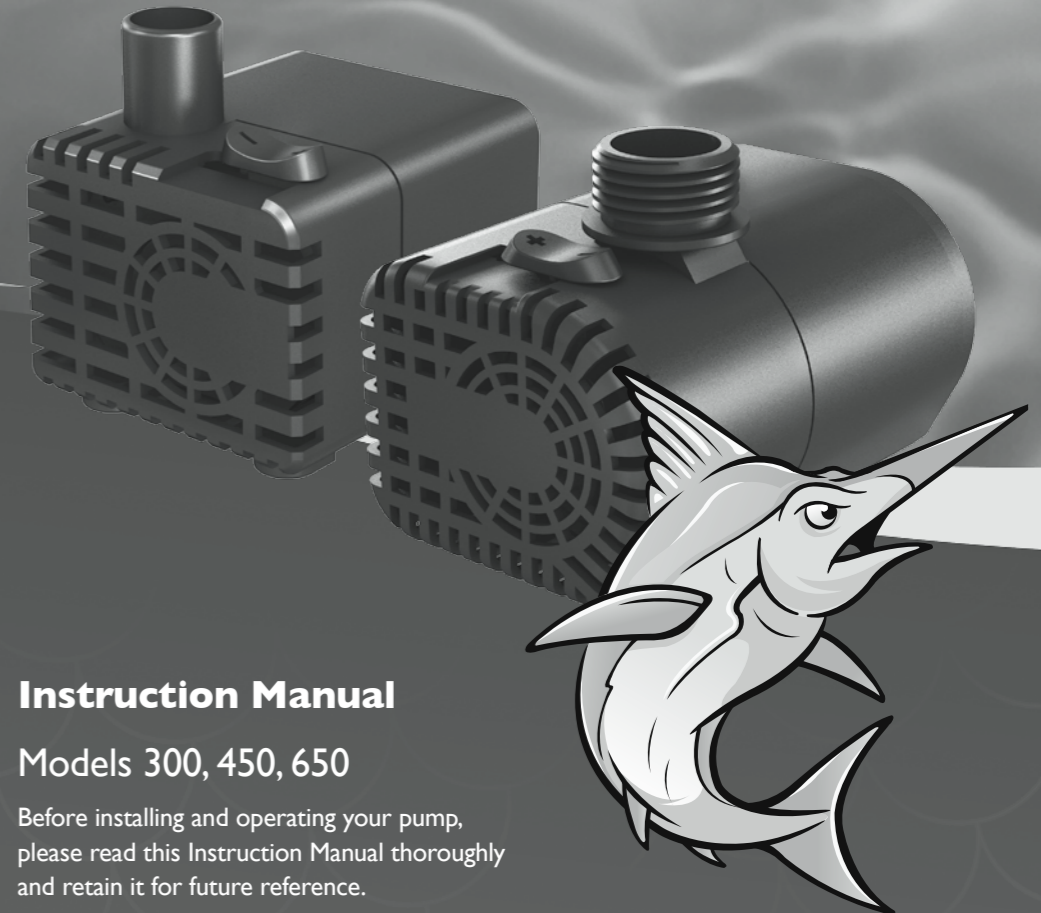
**Aquagarden,
4 Kingscote Street, Kewdale,
Western Australia, 6105.**

www.aquagarden.com.au www.aquagarden.co.nz

Aquagarden[®]

Marlin

Waterfall, Filtration And Pond Pump



Instruction Manual

Models 300, 450, 650

Before installing and operating your pump, please read this Instruction Manual thoroughly and retain it for future reference.

Features

1. Precise high aluminum ceramic shaft for fresh and sea water dual use.
2. Double water-cooled structure for rapid heat dissipation.
3. Adopts high quality resin to seal the winding and never leak electricity.
4. Super quality ABS plastic housing, which is anticorrosive and anti-striking.
5. Can be operated submersible or in-line.

Functions

1. It is used for supplying and draining fresh/sea water.
2. It is used for water supplying and draining for sea fish breeding pond.
3. It is used for wave-making for aquarium, garden watering, water supplying and circulating for rockery, fountain, landscape, water cleaning and draining for under-ground pond.

Mounting Instructions

If the immersible pump will be used inside water, place the pump with front cover, filter sponge and filter case and water outlet adapter in desired place, position suction cups on pump and attach to aquarium or other place before connecting power source. Do not put the plug together with the pump into water. If the plugdrops into water, power supply should be turned off immediately so as to avoid electric shock. If the pump will be used outside water, mount it with water intake, outlet adapters & pipe on a flat and solid base. Remove the power supply cord from socket before doing any maintenance or cleaning work. The pump can be used in doors. The power supply cord cannot be changed or replaced. It must not be bent or used to carry the pump. If the cord is damaged, do not use the pump.

Operational Instructions

During Operation

If clogging of the filter cover inlet occurs, shut off the power immediately.

If the pump does not operate as it should after cleaning, please consult your local Aquagarden stockist to establish the cause of the problem.

If freezing temperatures are forecast, switch off the pump, remove it from the water and store it after cleaning and drying the impeller chamber completely.

After periods of inoperation

If the pump is left submerged in pond water for a long period of time without operation, it could lead to the accumulation of debris inside the pump. Clean the pump and run it in clean water for a few minutes before returning the pump to the pond.

General Safety Instructions

1. Only use this pump with the voltages specified on the pump label.
2. Disconnect the mains supply before handling the pump in any way.
3. Never operate the pump when people are in contact with the water.
4. Never carry, lift, lower or pull the pump by the cable.

Electrical Safety Instructions

1. Always operate the pump at voltages between 220 & 240 volts.
2. For outdoor use, the plug must be connected to a weatherproof socket.
3. The electricity supply circuit must be fitted with a suitable fuse or a Residual Current Device (RCD), also known as a Residual Current Circuit Breaker (RCCB), with a tripping current not exceeding 30 mA.
4. It is necessary to conform to the regulations of the local electricity authority that may require additional cable protection. There may also be building regulations covering the installation of pumps and ponds.
5. The electrical cable is permanently connected and sealed into the pump. Should the cable become damaged, it cannot be repaired or replaced and the pump should be discarded.

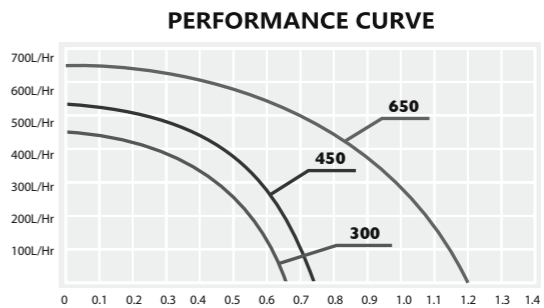
General Maintenace & Cleaning

While the water chamber has a very effective self cleaning feature, any apparent reduction in the water flow rate from your pump usually indicates that it requires cleaning. Regular cleaning and maintenance will significantly lengthen the life of the impeller and the motor unit.

To clean your pump:

1. First disconnect it from the mains supply and press in the two sides of the water inlet cover to remove it from the water chamber housing.
2. Now undo the 4 screws that connect the water chamber housing to the motor body and remove the water chamber to reveal the impeller.
3. Remove and check the impeller and rotor for dirt and grime and clean all parts in clean water. Do not use hard objects, aggressive cleaning agents, or high-pressure machines.
4. Rinse all parts thoroughly in clean water and reassemble and reinstall your pump following the Installation Instructions above.

Performance Curve



Performance Chart

MODEL	300	450	650
Power	5.0W	6.0W	8.0W
Max Flow	300L/h	450L/h	650L/h
Max Head	0.65m	0.73m	1.2m
Cable length	3m	3m	3m

A guide to simple problem solving

If you encounter a problem with this pump, before returning it to your Aquagarden stockist please check the following chart for a possible cause and solution to your problem.

SYMPTOM	PROBABLE CAUSES	COUNTERMEASURE
The pump does not run	Power is not turned on	Turn on the power
	Improperly plugged in	Push the plug fully into the socket
	Blocked impeller	Unplug the pump and remove foreign matter from impeller
The motor turns on and off repeatedly without the pump running, or the motor suddenly stops and cannot be started again	The water inlet or outlet pipe is clogged with debris	Unplug the pump and remove foreign matter from the pipes
The pump runs normally to start with but the water flow reduces or there is no water flow at all	Impeller is worn out and needs replacing	Replace the impeller with a new one from your Aquagarden stockist
	The water level in the pond is too low, exposing the pump to the air	Ensure that the pump is fully submerged under water and, if necessary, top up the pond
	A hose is too long or clogged with debris	Shorten the hose and / or clear the blockage
	There is air in the impeller chamber (only applicable when the pump is located out of water)	To remove the air, submerge the pump under water and switch ON and OFF two or three times