

# *PondMAX*<sup>®</sup>

FOR GARDENS THAT GO THE EXTRA YARD

## SUBMERSIBLE WATER PUMP

INSTRUCTION MANUAL



***EVOII***  
SERIES

VERSION  
FEB 2022

[www.pondmax.com.au](http://www.pondmax.com.au)

MODEL  
02EV105 - EV1900  
02EV125 - EV2900  
02EV155 - EV3900  
02EV175 - EV4900

**WELCOME TO THE WORLD OF PONDMAX™.**  
 YOU MADE THE **RIGHT** CHOICE INVESTING IN THIS  
**QUALITY** PRODUCT. THANK YOU AND **ENJOY.**

BEFORE USING THIS PRODUCT, PLEASE READ THESE INSTRUCTIONS OF USE CAREFULLY AND MAKE YOURSELF FULLY FAMILIAR WITH THE UNIT. PLEASE KEEP THESE INSTRUCTIONS IN A SAFE PLACE FOR FUTURE REFERENCE.

### TECHNICAL SPECIFICATIONS

DESCRIPTION	EV1900	EV2900	EV3900	EV4900
MAXIMUM WATER FLOW(L/H)	1800	3000	4000	4900
MAXIMUM HEAD (M)	2.4	3.4	3.8	5.0
POWER CONSUMPTION* (W)	12	20	27	45
VOLTS (V)	220 - 240	220 - 240	220 - 240	220 - 240
IP RATING	IPX8	IPX8	IPX8	IPX8
FREQUENCY (HZ) AC	50	50	50	50
FRONT FILTER CAGE: FLOW ADJUSTER	Yes	Yes	Yes	Yes
FRONT FILTER CAGE: SPONGE PRE-FILTER INC.	Yes	Yes	Yes	Yes
INLET Ø BSP THREAD	1 IN / 25MM	1 IN / 25MM	1 IN / 25MM	1 IN / 25MM
OUTLET Ø BSP THREAD (MALE)	1 IN / 25MM	1 IN / 25MM	1 IN / 25MM	1 IN / 25MM
THREADED INLET BUSH FOR OPTIONAL BLOCK SPONGE 1" - 1" FEMALE BSP	Yes	Yes	Yes	Yes
REDUCING BUSH 1 1/2" TO 1" ADAPTOR	Yes	Yes	Yes	Yes
THREADED BALL JOINT OUTLET - 1 1/2" MALE BSP	Yes	Yes	Yes	Yes
CABLE LENGTH (M)	10	10	10	10
RECOMMENDED TUBING SIZE (MM) ID	20	20	25	32
RECOMMENDED FOUNTAIN KIT	#40 Kit	#40 Kit	#40 Kit	#40 Kit

\* SUBJECT TO VARIATION ACCORDING TO LOAD

OTHER MODELS AVAILABLE IN THE EVOII RANGE	EV1910 -DC	EV2910 -DC	EV3910 -DC	EV4910 -DC	EV7200	EV9200	EV11200	EV13600
MAXIMUM WATER FLOW(L/H)	1800	2800	3800	4600	7200	9300	11200	13600
MAXIMUM HEAD (M)	2.1	2.95	4.6	5.1	5.5	6.0	6.5	7.0
VOLTS (V) & TYPE	12V - DC	12V - DC	12V - DC	12V - DC	240 - AC	240 - AC	240 - AC	240 - AC
SUITABLE FOR SOLAR	Yes	Yes	Yes	Yes	No	No	No	No

# SUBMERSIBLE WATER PUMPS

## DESIGN HIGHLIGHTS

The PondMAX EvoII Submersible Pumps have been manufactured with advanced technology to provide you with the best quality pumps for your pond or water feature. Visit our website to view our range of pond filtration, outdoor/underwater lighting, water treatments and general accessories.

- Variable Frequency Motor Technology – Extra high speed rotations of impellor.
- Open Vane Impellor Design – Handles large particles size up to 4mm soft sediment.
- Long life Impellor Design – Ceramic shaft is wear resistant and self-lubricated by water
- High Head Pressure – Due to extra high speed rotations of impellor.
- Energy Efficient – Exceptional low power consumption to high water flow conversion.
- Eco Friendly – Exceptional low dB noise rating with low mechanical vibration.
- Marine Compatible\* see warranty disclaimer – No exposed copper.
- Tool-less Assembly - For easy maintenance. No special tools required.
- Rotor Stop Protection – Sensors automatically cut power in the event that the impellor stops rotating, reducing the chances of motor burnout.
- Soft Start – Rotor starts at low speed and increases over a short period of time. This reduces sudden recoil kick back on start up.

## BENEFITS INCLUDE

- PondMAX Fountain & Pond pumps are suitable for use in many different applications including fountains, water features, aquatic systems, aquarium applications and hydroponics. The pumps can be used in either submersible or in-line use applications.
- Submersible pumps are a magnetically driven centrifugal pump, therefore they cannot suck from a water level that is below the inlet level when used in-line.
- Your pump has a single moving part (an impellor set) enabling easy cleaning and maintenance.
- The models EV1900 – EV13600 Pumps have intelligent circuitry that analyses the speed and torque of the motor. It will increase and decrease the energy usage to maximise efficiency.
- The pump has a robust bearing and shaft design so no oil/grease lubrication is required.
- PondMAX pumps, that have plastic impeller parts and ceramic shafts, can be used in Marine applications as there is no exposed copper. For Marine use, please see warranty disclaimer.
- PondMAX Submersible Pumps are continuous rated therefore are designed to operate 24/7.
- An optional fountain kit can be purchased and fitted to the models EV650 – EV4900 pumps. Some of these models include a sponge pre-filter that assists in straining the partials in the water, to assist the fountain nozzles becoming blocked up with debris. See your retailer for options.

The soft start nature of the system helps to avoid sudden jolting at start up. The intelligent system will change the motor speed to maximise the flow of water in the given circumstances. If the impellor gets jammed or stops, the circuitry will sense the state and cut the power automatically for 3 seconds and then power up again.

This procedure will repeat 3 times. If the rotor is still jammed, it will activate a prolonged low state, till the pump is turned off, and adequate maintenance is carried out. Thus minimising motor burnout, due to electrical heat, through lack of water flow through the motor.

- The motor and electrical components are totally encapsulated in epoxy resin, ensuring safe operation under water.

FOR GARDENS THAT GO THE EXTRA YARD



## IMPORTANT SAFEGUARDS

Please read the operating instructions and familiarise yourself with the equipment before placing it in service. Correct and safe use of the system requires strict compliance with the safety instructions. For safety reasons, persons less than 16 years of age or infirm persons that are not familiar with these instructions should not use this equipment.

- Any damage to the equipment or unmerited operation will bring dangers to the surrounding precincts. So if there is any damage of the equipment, it must not be used. The equipment should be placed out of reach of children.
- For your own safety, disconnect from the power supply before any maintenance of any equipment is attempted on the tank or water body. Always unplug the pump from the power supply when not in use. Never pull the cable to disconnect the plug from the power supply - grasp the plug and pull to disconnect. If required, have a qualified electrician install a weatherproof power supply point near to the pond or water-feature (within the cable length of the appliance).
- Be sure the equipment is submerged completely in the water. The depth should not be greater than 2m.
- Do not operate the pump if the appliance or any components of the system, such as the power cable, have been damaged. Check appliance for defects regularly.
- Always use a properly grounded power supply that is connected to an RCD with a rated residual operating current not exceeding 30mA. As per AS/NZS 3350.2.41:1997
- To avoid an electric shock, do not attach the plug to the power supply socket with wet hands. The drip loop method should be used to prevent water from traveling down the cable and onto the plug or power supply. If the plug does get wet, do not unplug the cable. Disconnect the circuit breaker that supplies power to the power supply point. Then unplug and examine the plug and power supply point for presence of water. If the power point has become wet, you should consult an electrician before using the power point again.
- Do not install or store the appliance where it will be exposed to extreme hot or cold temperatures. Do not use in water above 35°C.
- Do not cut the cable as this will result in voiding your warranty.
- Care should be taken to arrange the power cable so that it cannot be accidentally tripped over or pulled.
- Do not attempt to repair the electrical appliance yourself. Return to an authorised service centre or place of purchase if a fault occurs, (regular maintenance is not considered repair and is required by user).

## PRODUCT SPECIFIC SAFEGUARDS

- Do not operate the pump without water at any time, permanent damage may occur.
- Be sure the equipment is submerged completely in the water. The depth should not be greater than 2m. If used in line, the pump must have adequate flooded suction at all times.
- The pump is designed to be used in a garden pond/ waterfeature or Aquarium environment. It is not to be used in any other manner or purpose.
- The pump should only be used in clean water. Do not use the pump in, or with, any chemicals such as a solvent or gasoline.
- All PondMAX Submersible pumps are cooled by water flowing through the inside of the motor body. If the pump flow becomes restricted it will overheat and could cause permanent damage. Large tubing size is strongly recommended to deliver adequate water flow to cool the pump.
- The pump needs to be cleaned regularly to prevent the pump becoming blocked, thus causing the pump to overheat and burn out. This is not a warrantable event. It is strongly recommended not to select a pump that is too small for the job required. The flow rate through the pump needs to be enough so that a half of the rated max flow is kept running at all times.



# SUBMERSIBLE WATER PUMPS

## INSTALLATION

For your convenience we have provided two different front filter cages. One has a built in flow control, that can be used to adjust the water flow if the flow is too fast for a particular installation. This is used in clean water features, where a “filter-less” system is preferable.

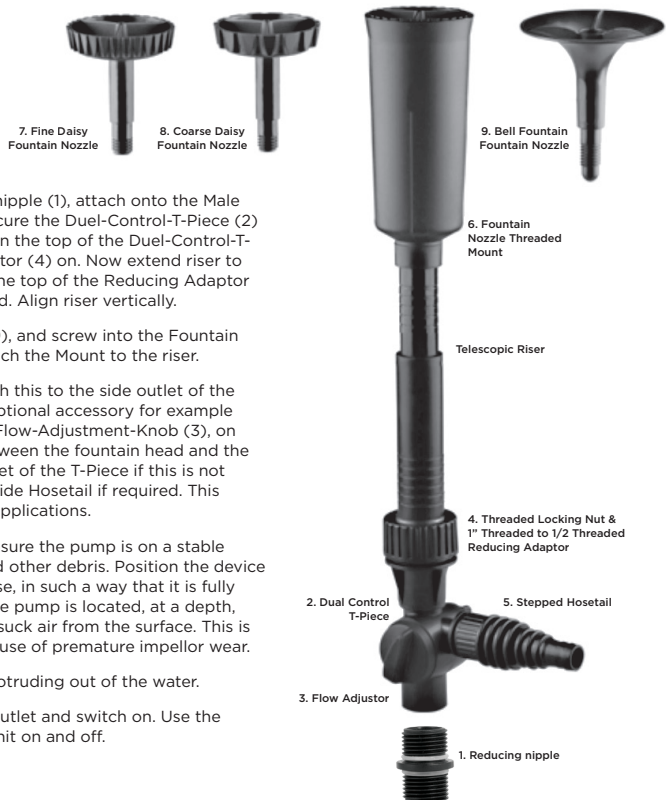
The other Filter Cage contains a sponge filter insert. This filter is to be connected to the front of the pump to strain out the larger particles when using a fountain kit. This reduces the frequency of having to cleaning of the fountain nozzles as often. If using an optional fountain kit, select the filter cage with the sponge insert. Some may choose to upgrade to a F11 Block sponge that has an even larger surface area, which does not need to be cleaned as often.

## FOUNTAIN KIT SETUP GUIDE

A basic plastic fountain kit is not recommended for pumps that have flow over 6000L/hour. It's better to use commercial fountain nozzles for higher flow. See your dealer for examples.

For Pumps, from 850L/hour to 5000L/hour, there are a number of optional fountain kits readily available. PondMAX has three readily available. For various suggestions of the correct model and fountain type selection see the specification table on page (page 2).

For the purpose of these guidelines, a PondMAX #30 Jet kit has been selected. The installation principle will be similar for the other types.



Using the 1" to 1/2" threaded reducing nipple (1), attach onto the Male Threaded outlet of the pump. Now secure the Dual-Control-T-Piece (2) onto threaded reducing nipple. Now on the top of the Dual-Control-T-Piece (2), connect the Reducing Adaptor (4) on. Now extend riser to the desired height, then secure onto the top of the Reducing Adaptor with the threaded locking nut provided. Align riser vertically.

Select the desired nozzle, (7) (8) or (9), and screw into the Fountain Nozzle Threaded Mount. (6) Then attach the Mount to the riser.

Locate the stepped hosetail (5). Attach this to the side outlet of the Dual-Control-T-Piece to facilitate an optional accessory for example a filter or waterfall. Now, utilizing the Flow-Adjustment-Knob (3), on the T-Piece, you can vary the flow between the fountain head and the waterfall outlet. Close the second outlet of the T-Piece if this is not required. Now connect tubing to the side Hosetail if required. This T-piece is not suitable for dry mount applications.

Place the pump in desired location; ensure the pump is on a stable surface that is free of sludge, sand and other debris. Position the device in the pond horizontally, on a solid base, in such a way that it is fully covered with water and ensure that the pump is located, at a depth, in the water, which will not allow it to suck air from the surface. This is known as cavitation. Cavitation is a cause of premature impeller wear.

The fountain nozzle should now be protruding out of the water.

Push the plug into the power supply outlet and switch on. Use the power supply switch for turning the unit on and off.

FOR GARDENS THAT GO THE EXTRA YARD

## WATERFEATURE PLUMBING GUIDE

If used to supply water to a waterfeature, cascade, waterfall, ect; where a pipe is needed to be used, use the hosesails supplied in the package.

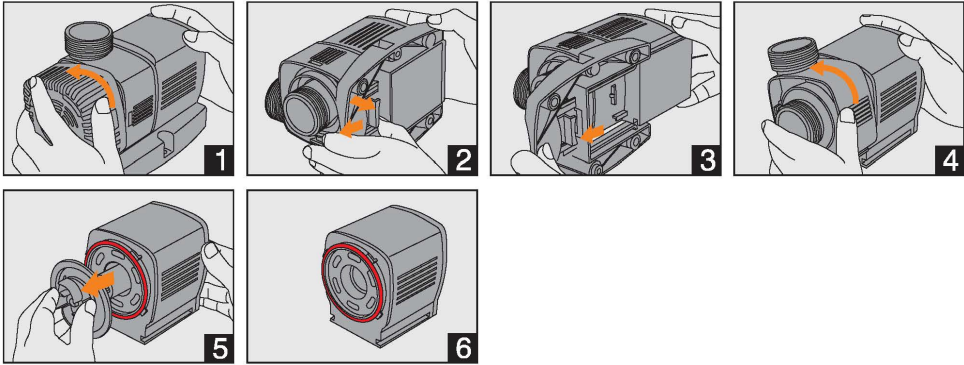
- For best results, use the bigger tubing size recommended in the table previously. Depending on the pump size, select the hosesail required for your tubing size and evaluate which step on the hosesail will be used. If you are using 32mm hose and you are connecting it to the 32mm\25mm\20mm hosesail supplied, remember to saw off the smaller size connection (I.E.: 25mm\20mm step). Otherwise it will create an unnecessary restriction in the plumbing system.
- A omni-directional ball joint is provided for your convenience when used under water. This is because the diagonal side sections of the ball-joint may seep water when under pressure. Select the 1 ½" Threaded Reducing adaptor and screw onto the top of the pump. To seal adequately, the use of thread seal tape on this male thread may be required (available at your local stockist).
- The fittings pack should include the necessary O'Ring washers. Select the one that will fit the female connection of the ball-joint. Place it firmly in the locking nut. Now screw the locking nut of the ball-joint onto the Threaded Adaptor on the pump. Fasten firmly but do not over tighten.
- Then select the Hosesail. Locate the second O'Ring washer and the locking nut of the hosesail. Slide the locking nut over the hosesail and insert the second O'Ring in the nut. Then connect the 1 ½" Threaded Locking Nut on the Hosesail to the Ball-joint and screw in firmly.
- Now connect the tubing to the hosesail. Remember to use Stainless Steel hose clamps to fasten the hose on to the hosesail. This is to ensure that the pipe does not blow off at a later time or leak at this point in the plumbing system.
- When used in a pond/waterfeature environment, position the pump as outlined above.
- Direct the hose to your desired location.

## CLEANING INSTRUCTIONS

Begin by ensuring that the mains power supply is disconnected before attempting any maintenance or adjustment of the unit or the water body. Remove the unit from the water. If your unit is connected to a sponge filter, the filters and sponges will clog up over time. Please clean regularly (at least once a month) to ensure strong water flow. Failure to maintain the unit will result in a burnt out motor and other damage.

- All EvoII Submersible pumps are water cooled, if pump becomes restricted, or blocked, it will overheat and could cause permanent damage.
- The motor unit of the pump is encapsulated with epoxy resin and does not need lubrication. Regular inspections, cleaning and maintenance of impellor is necessary to ensure longer life. In the centre of the impellor you may notice a small hole opening that protrudes through the ceramic shaft from front to back. It is paramount that this portal is kept unblocked at all times. This is a cooling channel for the motor.
- If using a fountain kit, take off the fountain set first by unscrewing it from the top of the pump. Examine the nozzles to ensure all ports are unblocked. Clean with a suitable brush if necessary.
- Maintain the filter sponge regularly according to how long it takes for the sponge to get clogged up. When the flow starts to be reduced, check and clean if necessary.
- To unclip the front filter cage from the front of the pump, twist the cage in an anti-clockwise direction and pull forward. If available, take out the optional Internal Bio sponge and clean. If using an optional pre-filter block sponge, slide the sponge off the threaded core and wash out. It is recommended that this is done in a bucket of pond water to ensure the good bacteria that are present in the sponge are not killed by the Chlorine in tap water. Check for wear and tear of the sponges. Replace if necessary.
- You can help boost the biological function of your filter sponge with a bacterial additive, available from your local stockist.

# SUBMERSIBLE WATER PUMPS



1. Turn the filter case in the direction as indicated by the arrow, then lift it off.
2. Unclip the snap-fit catch under the base plate, and draw out in the direction of the arrow.
3. Take off the base plate.
4. To maintain the impellor of the pump, turn the Impellor Cover in an anti-clockwise direction as indicated by the arrow, to the stop position. Then separate the impellor cover from the pump motor body.
5. Lift out the impellor assembly. (Take care not to break ceramic shaft.) The black disc behind the blades is part of the entire impellor assembly. Clean the impellor with clean water and a suitable brush taking note to remove fine sediment on and around the back end of the impellor including the small hole through the ceramic shaft if it has one. Replace the impellor if necessary.
6. Ensure to replace the O'ring in the correct place shown in the picture when reassembling the unit.

## IMPORTANT NOTES

- It is important to ensure that this is carried out regularly as the cooling path inside the motor will become clogged. If the impellor assembly becomes worn or damaged it should be replaced (available from your dealer or special orders). Failure to do so may cause serious damage to pump. Inspect for signs for wear and tear. The impellor set is a wearing consumable part.
- Once the cleaning and inspection process is completed, reassemble in the reverse manner. Reinstall the impellor into the motor body.

To place the Impellor O'ring around the black disc successfully, firmly hold the disc with one hand, and using the other hand stretch the O'ring over the disc, positioning it carefully into the groove. Pay attention not to allow the O'ring to roll forward, in-between the black disc and the motor body.

With the impellor in the correct position, carefully place the impellor cover back on, and then rotate clockwise back into position.

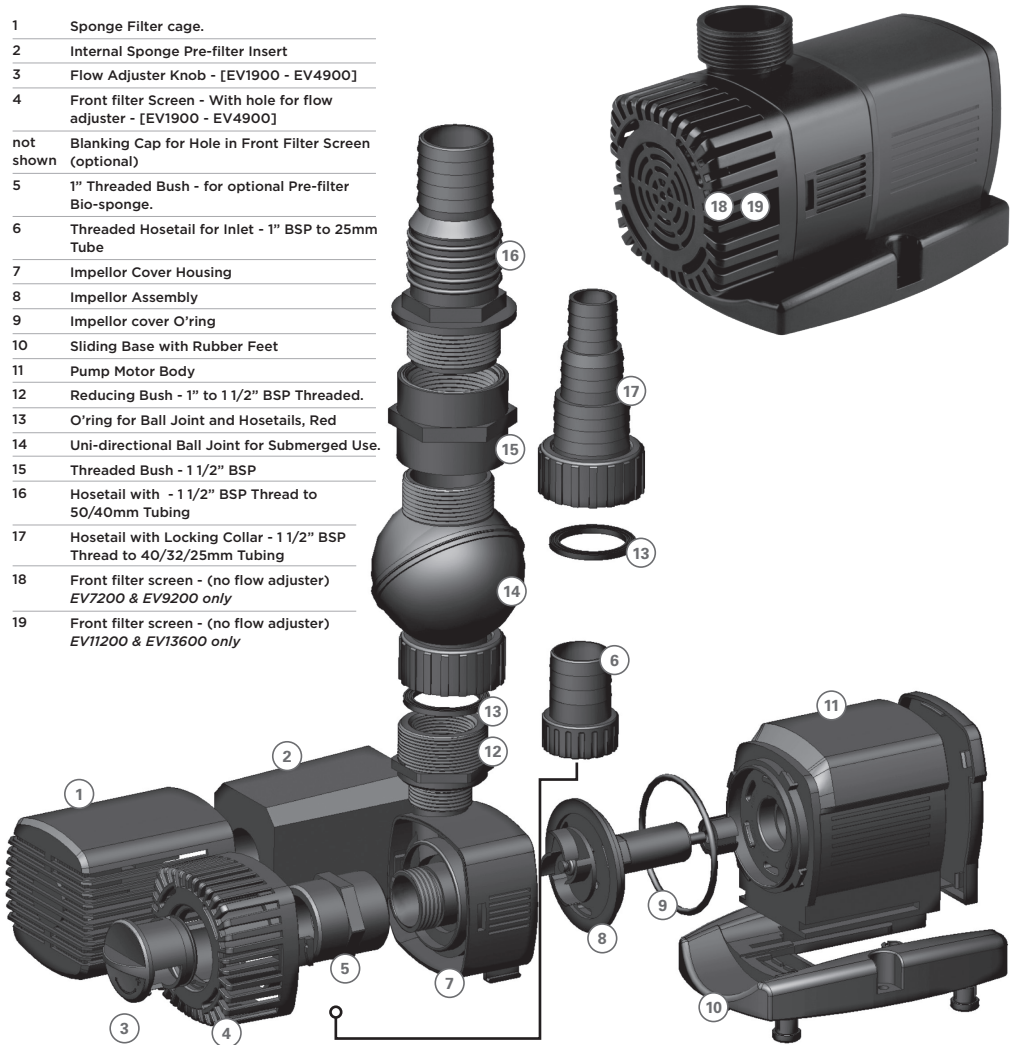
- On some models re-insert the internal sponge back into the filter cage and reattach to the pump. On other models re-attach the front filter screen.
- Now re-attach the sliding base back into position to lock the impellor cover from turning.



FOR GARDENS THAT GO THE EXTRA YARD

## EXPLODED VIEW

- 1 Sponge Filter cage.
- 2 Internal Sponge Pre-filter Insert
- 3 Flow Adjuster Knob - [EV1900 - EV4900]
- 4 Front filter Screen - With hole for flow adjuster - [EV1900 - EV4900]
- not shown Blanking Cap for Hole in Front Filter Screen (optional)
- 5 1" Threaded Bush - for optional Pre-filter Bio-sponge.
- 6 Threaded Hosetail for Inlet - 1" BSP to 25mm Tube
- 7 Impellor Cover Housing
- 8 Impellor Assembly
- 9 Impellor cover O'ring
- 10 Sliding Base with Rubber Feet
- 11 Pump Motor Body
- 12 Reducing Bush - 1" to 1 1/2" BSP Threaded.
- 13 O'ring for Ball Joint and Hosetails, Red
- 14 Uni-directional Ball Joint for Submerged Use.
- 15 Threaded Bush - 1 1/2" BSP
- 16 Hosetail with - 1 1/2" BSP Thread to 50/40mm Tubing
- 17 Hosetail with Locking Collar - 1 1/2" BSP Thread to 40/32/25mm Tubing
- 18 Front filter screen - (no flow adjuster) *EV7200 & EV9200 only*
- 19 Front filter screen - (no flow adjuster) *EV11200 & EV13600 only*



**NOTE:** Parts and features differ from model to model. All images used are for illustrative purposes only. Not all features depicted apply to all models in the range and these are subject to change.



### IMPORTANT

These accessories and attachments are recommended for use with your PondMAX product specified in this manual. The use of any other accessories or attachments might present a risk of injury to persons. Only use the accessory or attachment for its stated purpose.



# SUBMERSIBLE WATER PUMPS

## SPARE PARTS

PART NO.	DESCRIPTION	EV1900 EV1910-DC	EV2900 EV2910-DC	EV3900 EV3910-DC	EV4900 EV4910-DC
1	Sponge Filter cage.	12EV002			
2	Internal Sponge Pre-filter Insert	-			
3	Flow Adjuster Knob - [EV1900 - EV4900]	-			
4	Front filter Screen - With hole for flow adjuster - [EV1900 - EV4900]	-			
Not Shown	Blanking Cap for Hole in Front Filter Screen (optional)	-			
5	1" Threaded Bush - for optional Pre-filter Bio-sponge.	-			
6	Threaded Hosetail for Inlet - 1" BSP to 25mm Tube	-			
7	Impellor Cover Housing	-	-	-	-
8	Impellor Assembly	12EV025	12EV026	12EV027	12EV028
9	Impellor cover O'ring	-			
10	Sliding Base with Rubber Feet				
11	Pump Motor Body				
12	Reducing Bush - 1" to 1 1/2" BSP Threaded.	-			
13	O'ring for Ball Joint and Hosetails, Red	-			
14	Uni-directional Ball Joint for Submerged Use.	-			
15	Threaded Bush - 1 1/2" BSP				
16	Hosetail with - 1 1/2" BSP Thread to 50/40mm Tubing				
17	Hosetail with Locking Collar - 1 1/2" BSP Thread to 40/32/25mm Tubing	-			
18	Front filter screen - (no flow adjuster) EV7200 & EV9200				
19	Front filter screen - (no flow adjuster) EV11200 & EV13600				

2, 9, 12, 13, 14, 17	Complete Kit EV1900-EV4910-DC - O'rings, Inlet & Outlet, Threaded Bushes and Uni-directional Balljoint.	-			
9, 13, 14, 15, 16, 18	Complete Kit For EV7200-EV9200 - O'rings, Inlet & Outlet, Threaded Bushes and Uni-directional Balljoint.				
9, 13, 14, 15, 16, 18	Complete Kit For EV11200-EV13600 - O'rings, Inlet & Outlet, Threaded Bushes and Uni-directional Balljoint.				

FOR GARDENS THAT GO THE EXTRA YARD

## TROUBLESHOOTING

Problem	Reason	Solution
WATER PUMP NOT WORKING	No Power	Check that the plug is connected and power point turned on.
	Sponges and filter media blocked with sludge.	Clean the sponges and filters.
	Impellor is blocked with sludge or lime scale build up.	Clean the Impellor as per the instructions.
	Running without sufficient water.	Submerge the equipment underwater then plug in. Refill if necessary.
	Blocked Impellor chamber or ceramic shaft is broken.	Clean the Impellor. Check for wear. Replace if necessary.
WATER PUMP IS NOISY	Blockage in pump.	Clear the blockage.
	Impellor & Shaft worn out.	Replace Impellor & Shaft.
	Impellor broken.	Replace Impellor.
	Water valve closed on the inlet or outlet.	Open the valve.
	Unit inlet is blocked or the water pump outlet is blocked.	Clear all blockages.
	The height to which you are pumping is too high for the given model of pump.	Select a bigger model.

# SUBMERSIBLE WATER PUMPS

## LIMITED WARRANTY 2+1 YEAR

- The additional 1 Year Extended Warranty applies when you REGISTER with Aquatec Equipment. See enclosed for details and please retain your proof of purchase and Warranty form.
- Warranty covers only appliance defects and faulty material and workmanship within a 2 year period.
- Faults arising due to accidents, misuse, not following manufacturer's guidelines/instructions or power surges/spikes/brownouts will not be covered.
- The impellor set is a consumable item and is therefore not covered under warranty.
- Warranty will be void if any tampering removal of warranty labels or electrical circuitry is evident.
- Warranty will be void if the power cord is cut or damaged in any way.
- Warranty will be void if any visible signs of overheating are present.
- Loss of livestock, damage to property or personal injury caused by this product will not be covered.
- Warranty claims caused by installation faults will not be covered.
- It is the customer's responsibility to return the faulty appliance for any warranty claim, to Aquatec.
- For any warranty to be valid, an original proof of purchase must be provided.
- Our goods come with guarantees that cannot be excluded under the Australian Consumer Law. You are entitled to a replacement or refund for a major failure and for compensation for any other reasonably foreseeable loss or damage.

You are also entitled to have the goods repaired or replaced if the goods fail to be of acceptable quality and the failure does not amount to a major failure.

- A Warranty claim must be made within 2 years of the date of purchase.
- If used in Marine or Salt water, due to the harsh conditions, there is only 1 year warranty.

## EXTENDED WARRANTY

- The Extended Warranty period is for an additional 1 Year and commences on expiration of the standard Warranty period.
- Application for Extended Warranty is FREE of any registration cost to the purchaser on completion of the Extended Warranty questionnaire can be found in the box with the item purchased or online at [www.aquatecequipment.com](http://www.aquatecequipment.com).
- Please keep a copy of the registration form in a safe place together with your proof of purchase (sales receipt). Both documents will be required for any claim under this extended warranty.
- Where Aquatec determines goods are being used in a manner contrary to the instructions, specifications or this Warranty, Aquatec reserves the right to terminate Extended Warranty for such goods and will provide written notice to the purchaser.

**Please consult your retailer for quality original PondMAX replacement parts.**

**Visit [www.aquatecequipment.com](http://www.aquatecequipment.com) for your nearest stockists.**

**E.&O.E.**

FOR GARDENS THAT GO THE EXTRA YARD



FOR GARDENS THAT GO THE EXTRA YARD



**AQUATEC**  
EQUIPMENT

**HOTLINE 1300 AQUATEC**

**[www.pondmax.com.au](http://www.pondmax.com.au)**